



solutions holding **your ideas.**

Modular pallet

Pack and transport standards, ledgers, toe boards, frames, guardrails, decks, props and all sort of small or unbundled items such as couplers and spigots in a safe and easy way.

Stack and transport Modular pallets with crane or lift-truck - in the end disassemble them to save space.

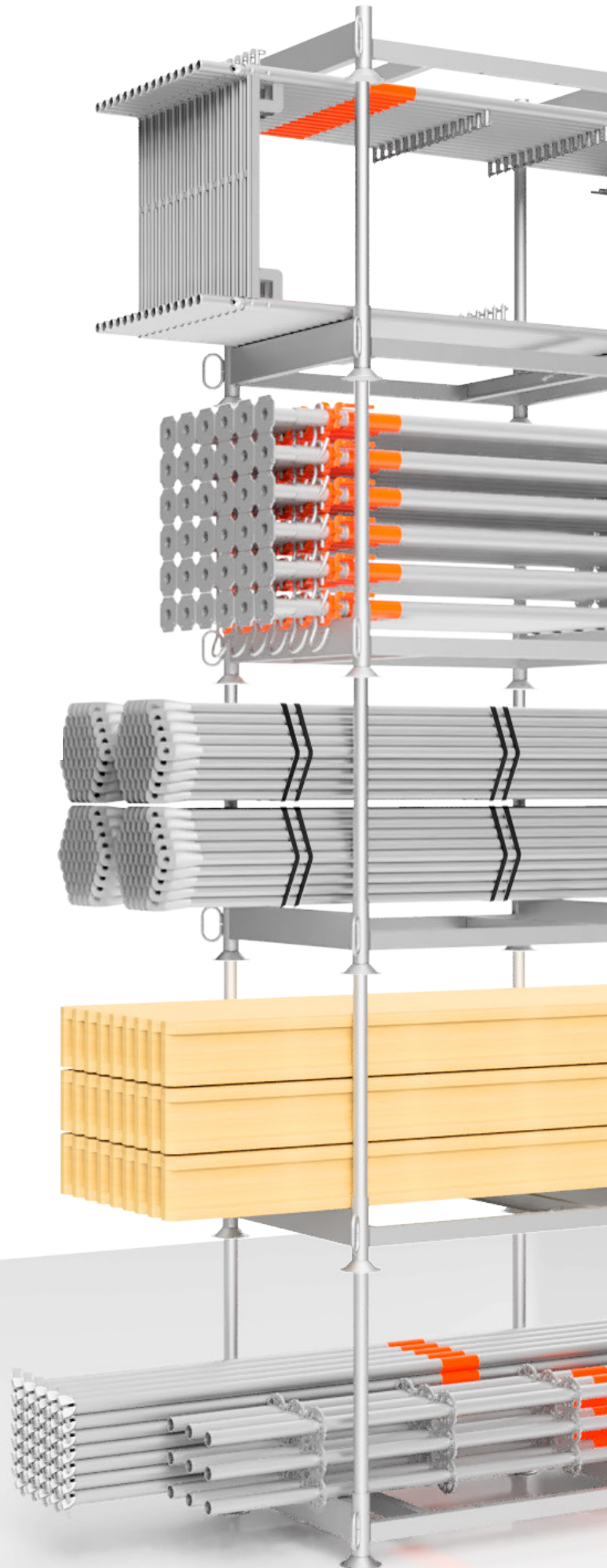
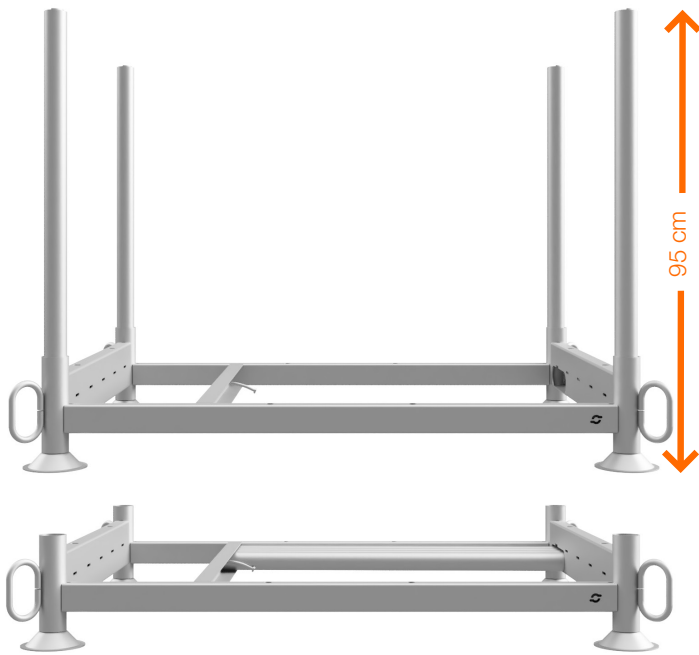


MODULAR PALLET

BASE CONFIGURATION

To pack or transport US®, FA-48® and FL® standards, ledgers, frames, diagonal braces, toe boards, props and all sort of shoring accesories.

Ref.	Width (cm)	Length (cm)	Height (cm)	Weight (kg)
TA.PUB0850X1200	85	120	95	43,10



MODULAR PALLET

WITH SUPPORT FOR ITEMS UNDER 1,20 m

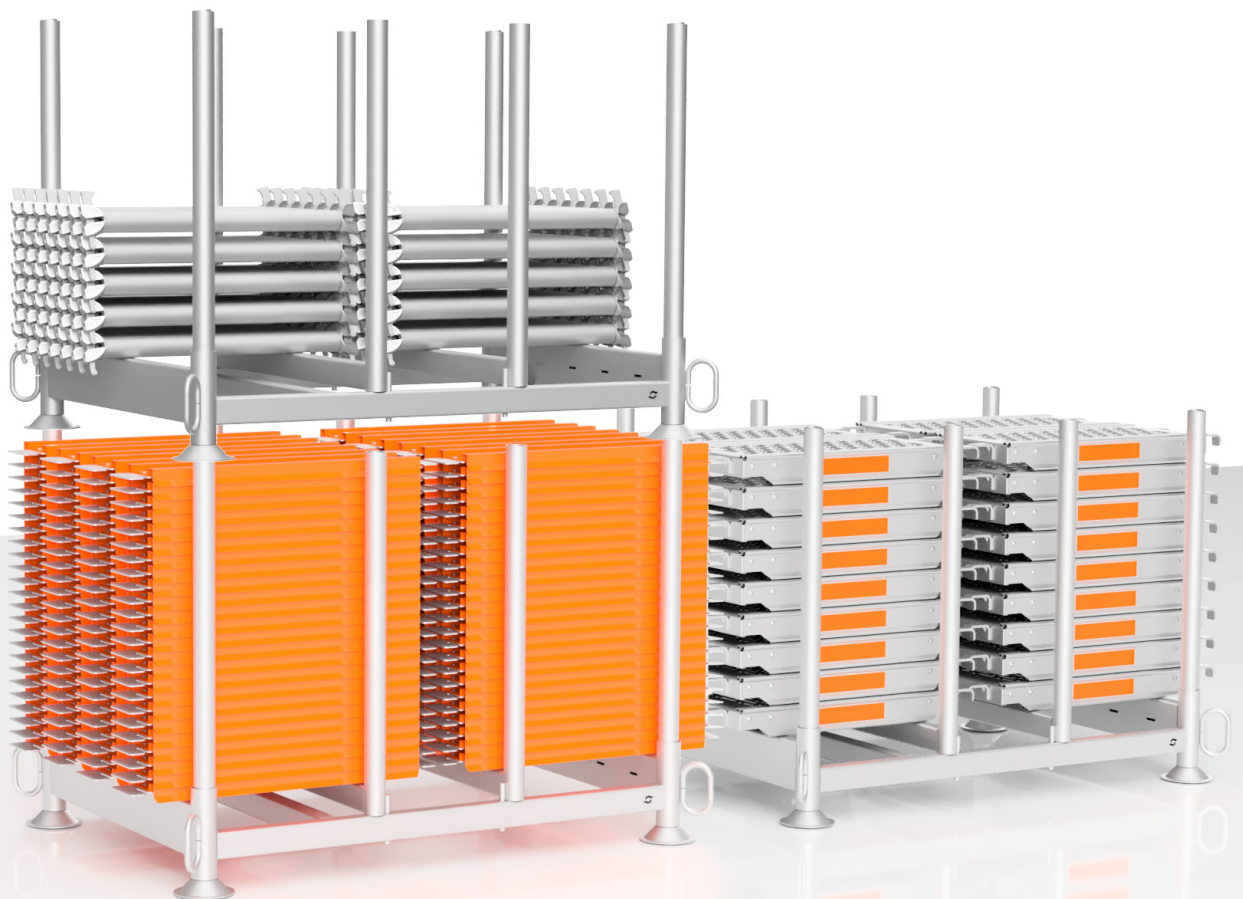
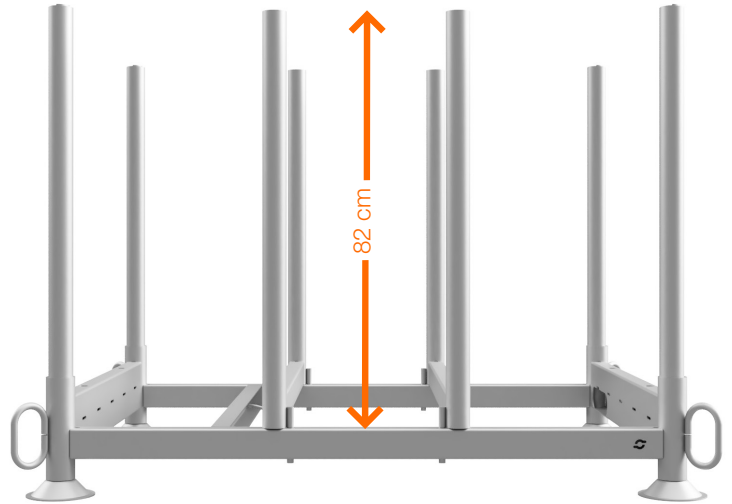
To pack or transport US®, FA-48® and FL® standards, ledgers, toe boards, guardrails or decks with 0,73 m or 1,09 m.

The folded packing assures an optimised space consumption and an increased safety during transportation.

SUPPORT FOR ITEMS UNDER 1,20 m



Ref.	Width (cm)	Height (cm)	Weight (kg)
TA.PUSC0850	85	82	9,50

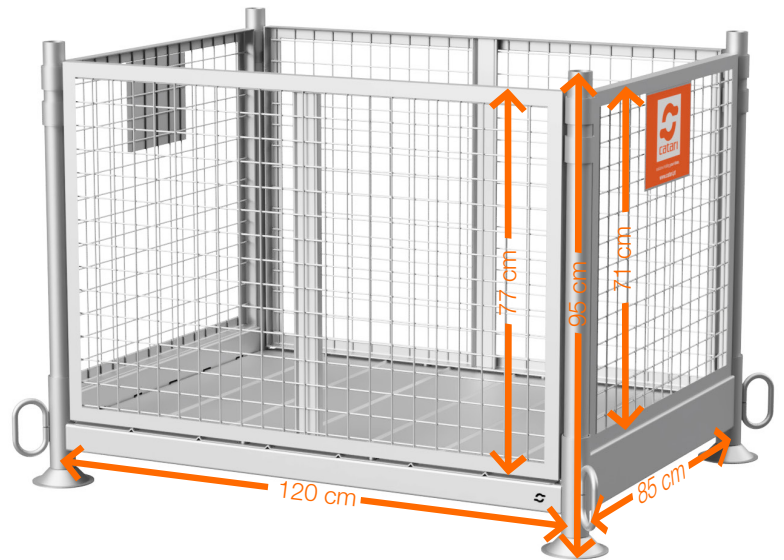


MODULAR PALLET WITH MESH CRATE

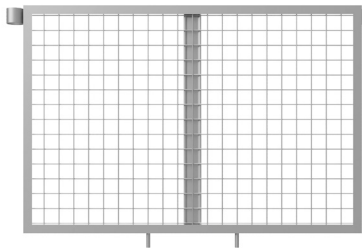
To pack or transport US[®], FA-48[®] and FL[®] standards, ledgers, frames, diagonal braces, toe boards, guardrails, decks with a maximum of 120 cm and all sort of small items or unbundled items such as couplers and spigots.

This modular pallet configuration can be individually branded by placing a sticker in the grid panel.

Ref.	Width (cm)	Length (cm)	Height (cm)	Weight (kg)
TA.PUR0850X1200	85	120	95	96,70

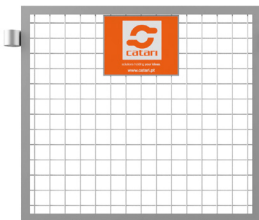


GRID PANEL 1,20 m



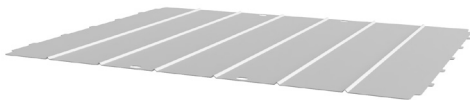
Ref.	Length (cm)	Height (cm)	Weight (kg)
TA.PUPF1200	120	77	10,70

GRID PANEL 0,85 m



Ref.	Width (cm)	Height (cm)	Weight (kg)
TA.PUPL0850	85	71	7,40

BOTTOM PANEL



Ref.	Length (cm)	Width (cm)	Weight (kg)
TA.PUE0850X1200	120	85	16,40

